



The NEW Greenheat GH23 Parts Washer

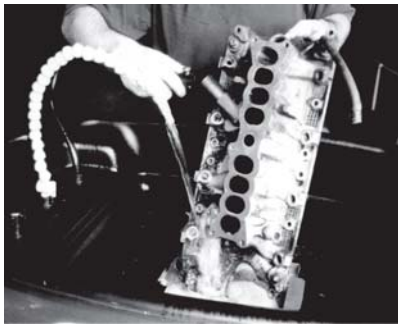


**The Parts Washer
Designed For The
Way You Work!**

CLEANING INNOVATION:

The GH23 is the newest model in the Greenheat line of environmentally friendly products. The GH23 offers you several benefits that include: integrated dolly for ease of mobility, adjustable heat between 103°F or 115°F, and fluid timers that let you choose fluid shutoff intervals of 10 or 30 minutes.

- Bioremediation Technology - the natural breakdown of greases and oils
- No hauling away of dirty fluids
- No cradle to grave liabilities
- No flashpoint
- No VOC's
- No EPA or OSHA paperwork



FEATURES AND BENEFITS:

**WIDE SINK FOR MORE EFFICIENT WORK SPACE
ADJUSTABLE TEMPERATURE / TIMER**

Higher temperature option combined with the new GH-7 OzzyJuice yields an impressive increase in cleaning performance.

MOBILE DOLLY WITH FOOTSTEP

Offers superior durability and mobility.

12' POWER CORD

Held by a strap which conveniently keeps the cord out of your workspace.

ANGLED BRUSH

Allows for cleaning of hard-to-reach areas.

FLEXIBLE NOZZLE

TWO MACHINES IN ONE

A parts washer and a brake washer.

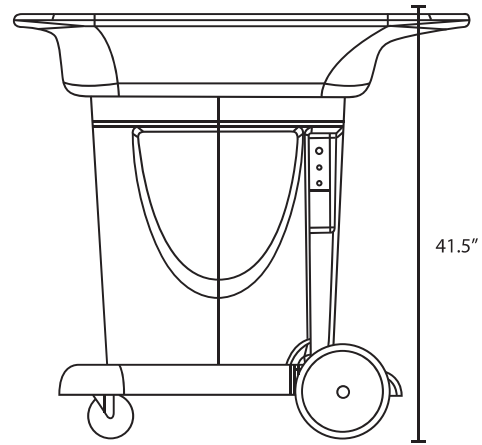
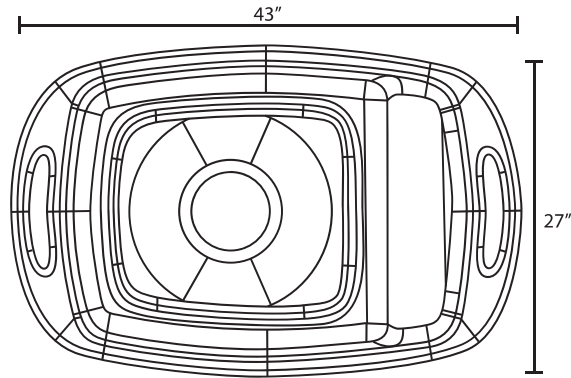
**UNIQUE DESIGN PROVIDES
ERGONOMIC BENEFITS**


For More Information Call Toll Free:

877.448.2588



GH23 PARTS WASHER:



OVERALL DIMENSIONS	43" x 27" x 42"	
INSIDE SINK DIMENSIONS	27" x 23" x 8"	
PARTS WASHER STRUCTURE	Heavy-Duty HDPE	
CONTROLS	Toggle Switch	
PUMP CAPACITY	300 gph	
TANK CAPACITY (OzzyJuice®)	20 gallons	
ADJUSTABLE THERMOSTAT	105° to 115° F	
FLOW CONTROL TIMER	10 Minutes	
STANDARD EQUIPMENT	Fixed Dolly with Footstep	
CERTIFIED	ETL (UL/CSA), CE, NSF	
GREENHEAT GH23 START-UP KIT	Ships completely assembled, with one OzzyMat™ and four boxes of OzzyJuice®.	

Greenheat Technology guarantees it's products to be free from defect in material or craftsmanship. Please call **877.448.2588** for additional product information and pricing.

